

QSI AVERAGING DILUTION TANK

Made from chemical grade polyethylene.

Used to pre-treat waste water from laboratories, schools, & technical colleges, battery manufacturing or any application where alkalines or acids are used.

Sizing

Multiply the number of laboratory sinks by 5 litres
e.g. 80 sinks x 5 = 400Lt.

Allow 5Lt per 300 mm length of laboratory troughs e.g. 3000 mm is
10 x 5 litres = 50 litres. Total is 400 litres.

In other cases 1 hour retention should be allowed

1.0 General summary - refer to manual for full detail.

- 1.1 Install in a location that will not interfere with or obstruct fire access or be vandalised or damaged by vehicles.
- 1.2 Install bollards or vandal proof cage if necessary.
- 1.3 Ensure easy access to the pump out point is maintained.
- 1.4 To service & maintain, install a cold water hose tap within 5 metres
- 1.5 Fit hose tap with an RPZD back flow protection (as per AS/NZS 3500).
- 1.6 Fit an RPZD to Water Authority boundary meter

2.0 Above ground installations

- 2.1 Support tank on a 100mm thick concrete pad
- 2.2 Install maintenance platform to service in accordance with AS 1657-1992.
- 2.3 Support pipework so no load is placed on tank connections.
- 2.4 Divert Stormwater away from tank to prevent undermining foundation.

3.0 Installation below Ground

- 3.1 Connections to the arrester to be in accordance with appropriate authorities.
- 3.2 Fill the tank with water prior to backfill to test for leaks and to settle tank.
- 3.2 Excavations greater than 1.5m to be in accordance with Construction Safety Act.
- 3.3 Allow height of base, tank, flanges and access cover and excavate to depth.
- 3.4 Allow 75mm clearance to side excavation only.
- 3.4 Install anti floatation rods to tank legs prior to lowering to position.
- 3.5 If depth is over excavated fill with bedding material to achieve 98% compaction or concrete.

4.0 Water charged ground

- 4.1 A qualified engineer must certify any installation in water charged, unstable or mine subsidence areas, filled ground or a high water table.

5.0 Bedding material

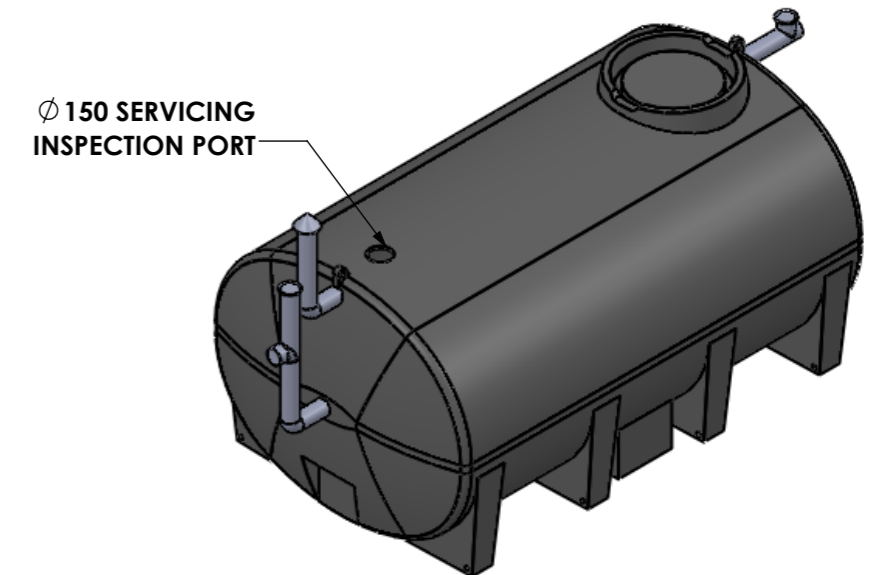
- 5.1 Bedding material to be 1 part Portland cement to 4 parts clean sand
- 5.2 Compact thoroughly by tampering every 300mm.
- 5.3 Encase the whole tank.

6.0 Final Backfill

- 6.1 Spoil from the excavation may be used.
- 6.2 Do not use bricks, concrete or builders waste to backfill

7.0 Covers

Ensure load rating for the cover is appropriate prior to install.



ISOMETRIC VIEW

DO NOT SCALE DRAWING	REVISION: A	MATERIAL: CHEMICAL GRADE LDPE
		PH: 0423 814 556 steve@qsinationalwaste.com.au
TITLE: QADT6000 AVERAGING DILUTION TANK		
DWG NO. QADT6000-001	A4	
WEIGHT:	SHEET 1 OF 1	SCALE:1:35