

### QSI COOLING TANK

Made from food grade polyethylene.

Used to cool the liquid waste water and provide a discharge to sewer of not more than 38°C.

The inlet and outlet design provide mixing of the waste water.

#### Application:

Launderettes, commercial & industrial laundries & boiler blow down.  
A cooling tower may be needed lower the temperature of large volumes of hot waste water prior to the cooling tank.

#### 1.0 General summary - refer to manual for full detail.

- 1.1 Install in a location that will not interfere with or obstruct fire access or be vandalised or damaged by vehicles.
- 1.2 Install bollards or vandal proof cage if necessary.
- 1.3 Ensure easy access to the pump out point is maintained.
- 1.4 To service & maintain, install a cold water hose tap within 5 metres
- 1.5 Fit hose tap with an RPZD back flow protection (as per AS/NZS 3500).
- 1.6 Fit an RPZD to Water Authority boundary meter

#### 2.0 Above ground installations.

- 2.1 Support tank on a 100mm thick concrete pad
- 2.2 Install maintenance platform to service in accordance with AS 1657-1992.
- 2.3 Support pipework so no load is placed on tank connections.
- 2.4 Divert Stormwater away from tank to prevent undermining foundation.

#### 3.0 Installation below Ground

- 3.1 Connections to the arrestor to be in accordance with appropriate authorities.
- 3.2 Fill the tank with water prior to backfill to test for leaks and to settle tank.
- 3.2 Excavations greater than 1.5m to be in accordance with Construction Safety Act.
- 3.3 Allow height of base, tank, flanges and access cover and excavate to depth.
- 3.4 Allow 75mm clearance to side excavation only.
- 3.4 Install anti floatation rods to tank legs prior to lowering to position.
- 3.5 If depth is over excavated fill with bedding material to achieve 98% compaction or concrete.

#### 4.0 Water charged ground

- 4.1 A qualified engineer must certify any installation in water charged, unstable or mine subsidence areas, filled ground or a high water table.

#### 5.0 Bedding material

- 5.1 Bedding material to be 1 part Portland cement to 4 parts clean sand
- 5.2 Compact thoroughly by tamping every 300mm.
- 5.3 Encase the whole tank.

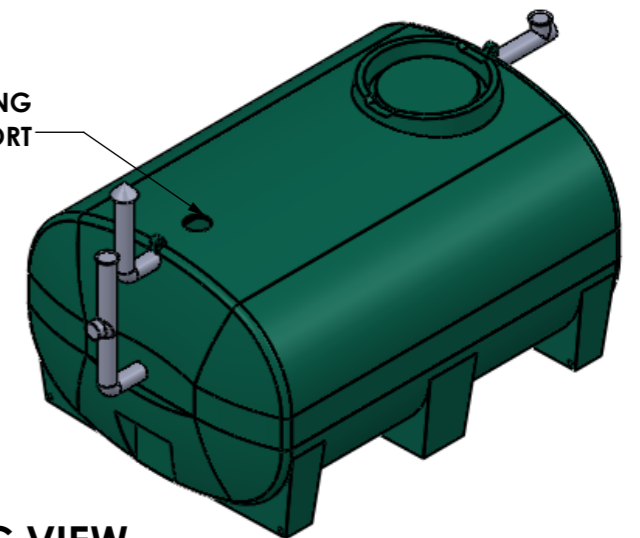
#### 6.0 Final Backfill

- 6.1 Spoil from the excavation may be used.
- 6.2 Do not use bricks, concrete or builders waste to backfill

#### 7.0 Covers

Ensure load rating for the cover is appropriate prior to install.

Ø 150 SERVICING  
INSPECTION PORT



ISOMETRIC VIEW

DO NOT SCALE DRAWING	REVISION: A	MATERIAL: Polyethylene
		PH: 0423 814 556 steve@qsinationalwaste.com.au
TITLE:		
<b>QCA5000 COOLING ARRESTOR</b>		
DWG NO.	A4	
<b>QCA5000-001</b>		
WEIGHT:	SHEET 1 OF 1	SCALE:1:35